



SAILMAKERS TO THE WORLD

Quote Request

Given Name:* _____ Family Name:* _____

Email:* _____

Address: _____

Country:* _____

Phone at Work _____ Home _____ Fax _____

Delivery date at destination desired: _____

Shipment to be effected by: Air / Sea Port of Discharge: _____

** This information is required to process your quotation.*

Boat Type: _____

Boat Length: _____

Usage: Cruising / Racing / Both

Average Wind Speed: _____

Upon ordering, please provide sailplan and Rating Certificate for racing sails, if possible.

Unit specified below are Meter / Feet

Fore triangle I _____ or HGH[^] _____

J _____

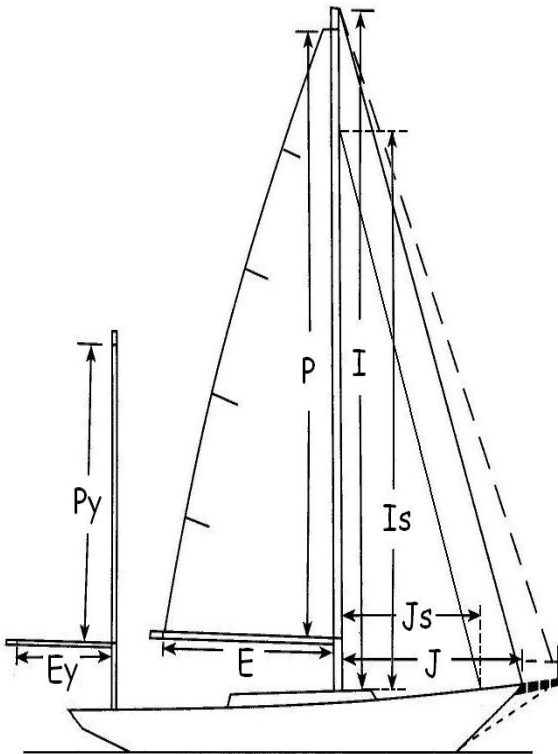
Is _____ Js _____

Mainsail P _____ E _____

Mizzen Py _____ Ey _____

Maximum Genoa Luff Hoist along forestay: _____

[^]HGH = Maximum Height of Genoa Hoist along mast.



Dimensions of Sails

Please give maximum dimensions wanted. Sail maker will make sails with allowance for eventual stretch as sails are used.

	Luff	Foot	Leech	Cloth Weight	Battens	Reefs
<input type="checkbox"/> Mainsail	_____	_____	_____	_____	Full / Short / None	_____
<input type="checkbox"/> Mizzen	_____	_____	_____	_____	Full / Short / None	_____
<input type="checkbox"/> Staysail	_____	_____	_____	_____	Full / Short / None	_____
<input type="checkbox"/> Jib	_____	_____	_____	_____	Furling / Not Furling	
<input type="checkbox"/> Genoa	_____	_____	_____	_____	Furling / Not Furling	
<input type="checkbox"/> _____	_____	_____	_____	_____	_____	_____
<input type="checkbox"/> _____	_____	_____	_____	_____	_____	_____
<input type="checkbox"/> _____	_____	_____	_____	_____	_____	_____

Downwind

	Luff	Max Girth	Remarks
<input type="checkbox"/> Spinnaker	_____	_____	Furling / Not Furling Headsail

Usage:

- Cruising
- Racing

Type:

- Symmetrical
- Asymmetrical

Cutting:

- Radial Head
- Tri-Radial
- Star-cut

Addition Information
